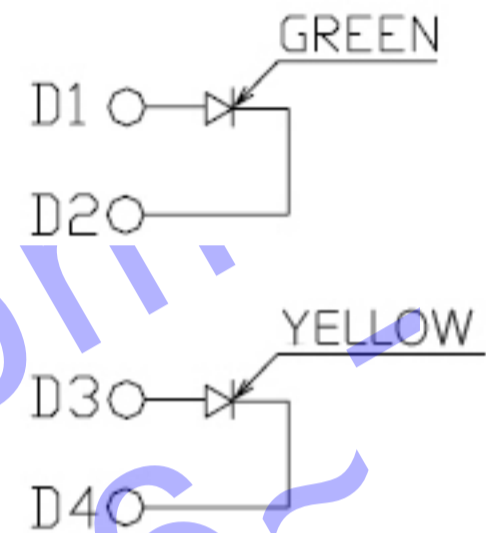
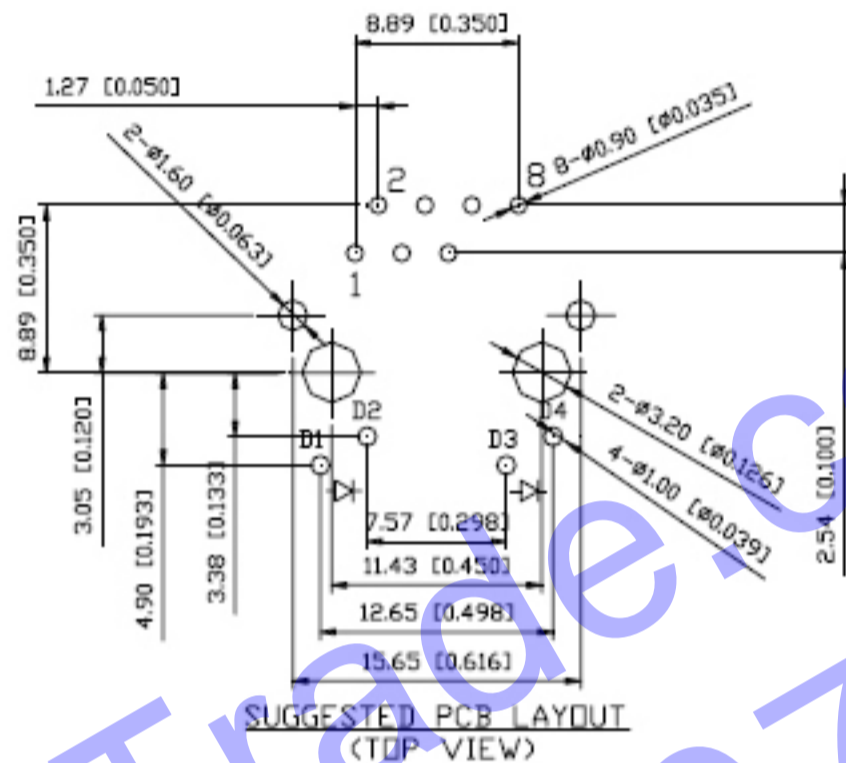
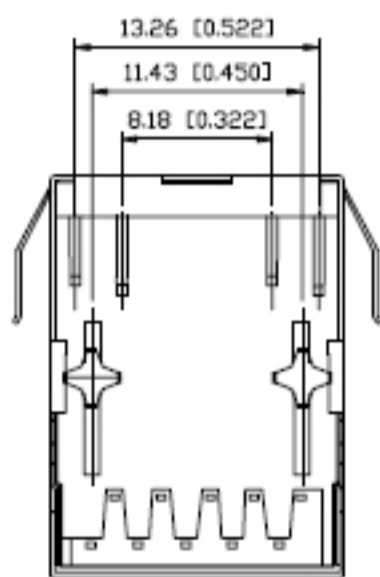
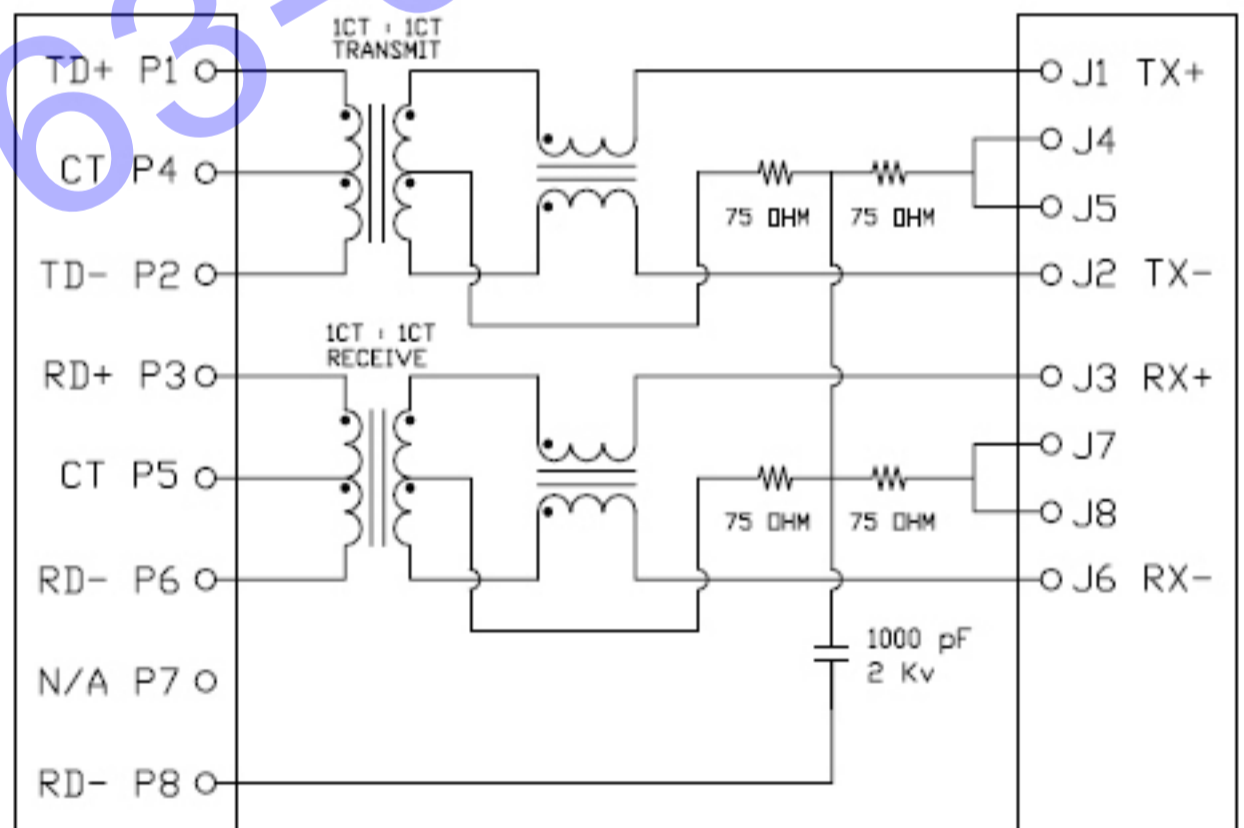


用圆头灯生产



**ELECTRICAL SPECIFICATIONS @ 25°C +/- 5°C unless otherwise noted:**

- Insertion Loss: 1-100MHZ -1.0dB MAX
- Return Loss: 1-30MHZ -16.0dB MIN  
30-60MHZ -14.0dB MIN  
60-80MHZ -10.0dB MIN
- Cross Talk: 1-30MHZ -40.0dB MIN  
30-60MHZ -35.0dB MIN  
60-80MHZ -30.0dB MIN
- CMR: 1-100MHZ -35.0dB MIN
- Hi-Pot: 1500v AC 6S 1mA
- OCL: 350uH MIN @ 100KHZ 100mV 8mA DC



Contacts: 0.35mm thick phos bronze plated with 6u' gold in contact area

Turn Ratio: 1CT:1CT +/- 3%

Operating temperature range: 0°C to +70°C

Housing Material: PBT Black

**HDC**

有限公司

Drafted by CZ Lin

UNIT: mm

.XX +/-0.25 .XXX +/-0.13

10/100BASE  
1X1Tab-Down RJ45

Approved By : Herman Au

GRJJ-H7144

Sheet 1 of 1

REV.  
B